

SPECIFICATIONS:

MODEL NUMBER: 8000-713-238

PUMP DESIGN: Positive Displacement 3 Chamber Diaphragm Pump

CHECK VALVE: (2-Way Op.) Prevents Reverse Flow & 6 Ft. Head Forward Flow

CAM: 3.0 Degree

MOTOR: Permanent Magnet, P/N 11-150-10, Thermally Protected

VOLTAGE: 115 VAC Nominal

PRESSURE SWITCH: Adjustable Shut-Off (Range 80-100 PSI)

Factory Set @100 PSI, Turn On 85 PSI \pm 5 PSI

LIQUID TEMPERATURE: 180 Degrees Fahrenheit (82 Degrees Centigrade) Max.

PRIME: Self-Priming Up To 11 Ft. Vertical,
Max. Inlet Pressure 30 PSI (2.1 Bar)

PORTS: 3/8"-18 NPT Female

MATERIAL OF CONSTRUCTION:

PLASTICS- Nylon

VALVES- EPDM

DIAPHRAGM- Santoprene

FASTENERS- Zinc Plated Steel

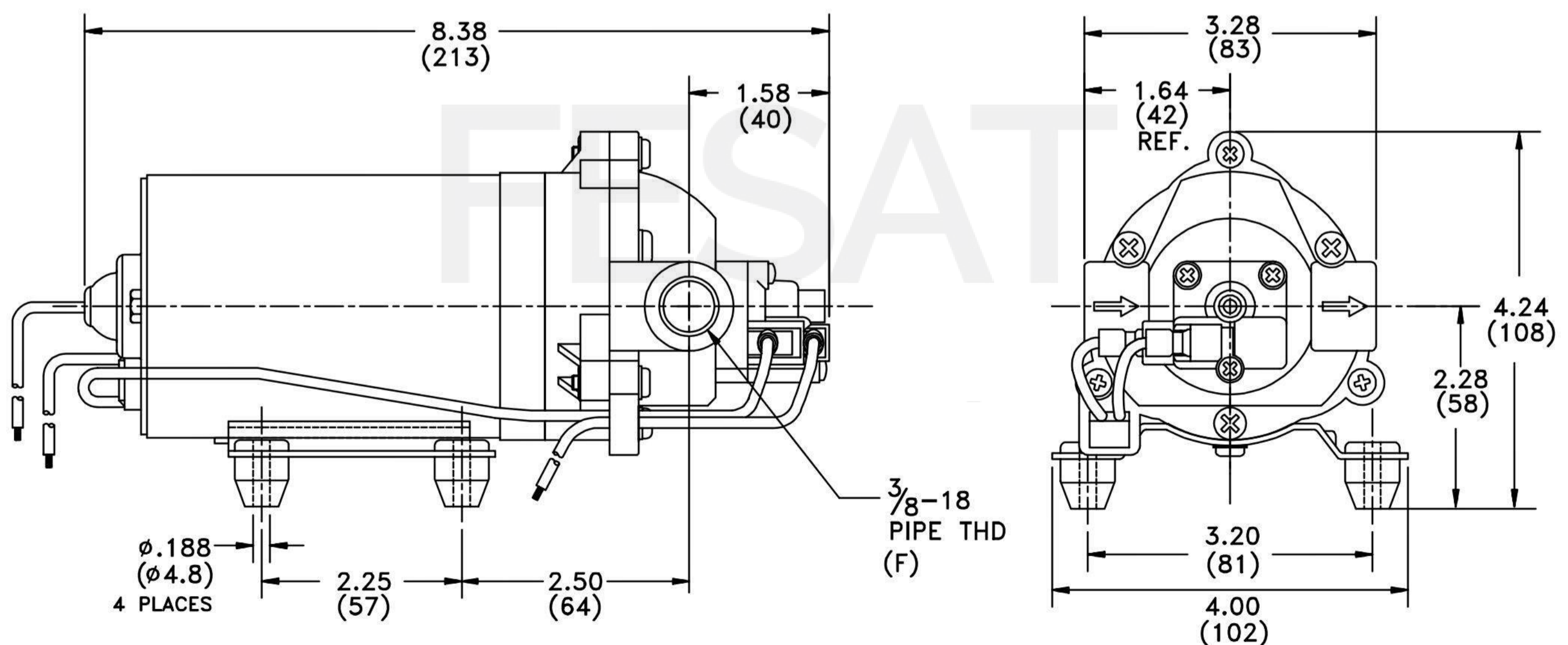
NET WEIGHT: 4.9 Lbs (2.22 Kg)

DUTY CYCLE: Intermittent (See Temperature Rise Chart)

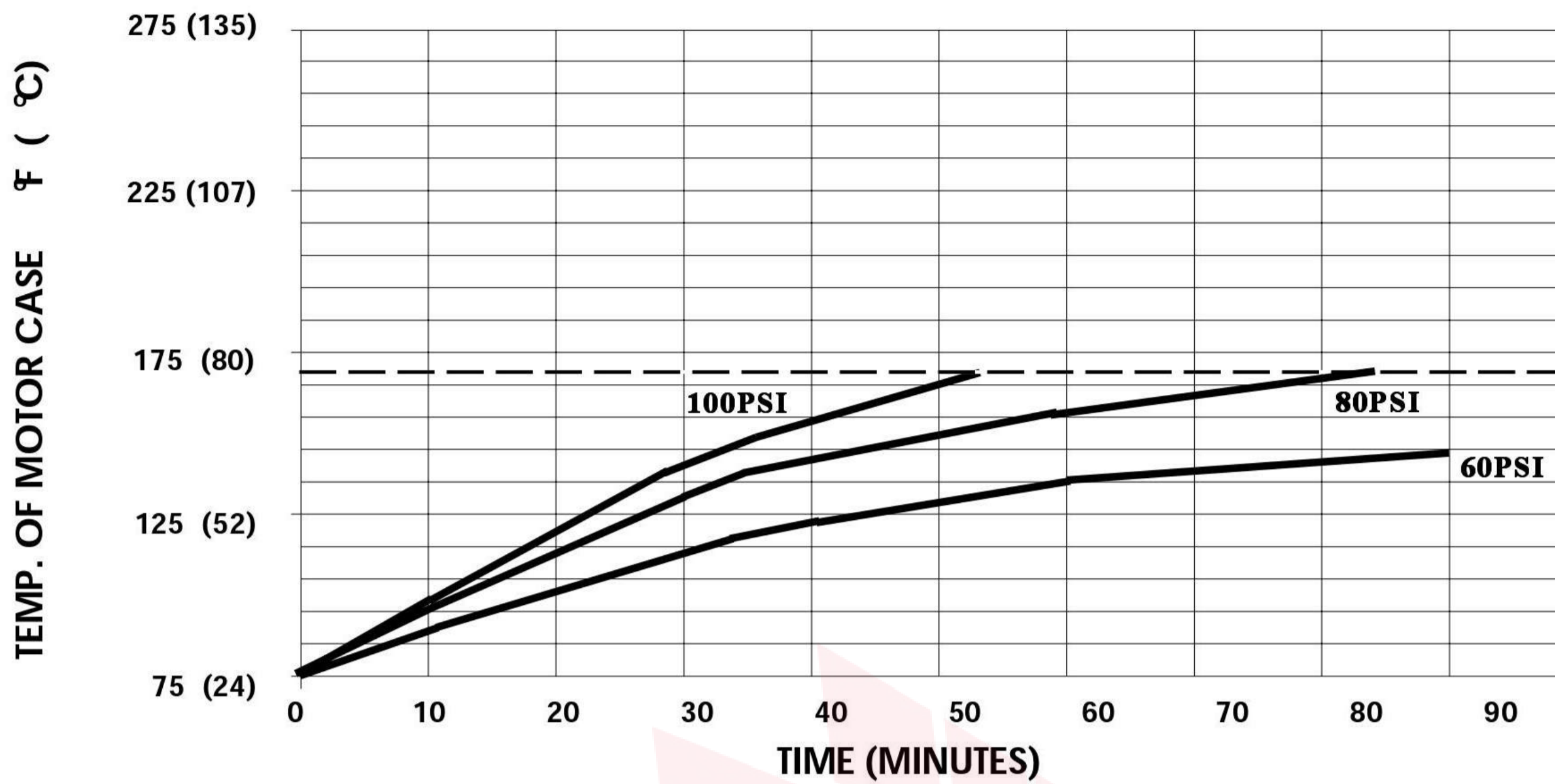
APPROVALS: UL/CSA Recognized Component

TYPICAL APPLICATIONS: Soil Extraction

DIMENSIONS:



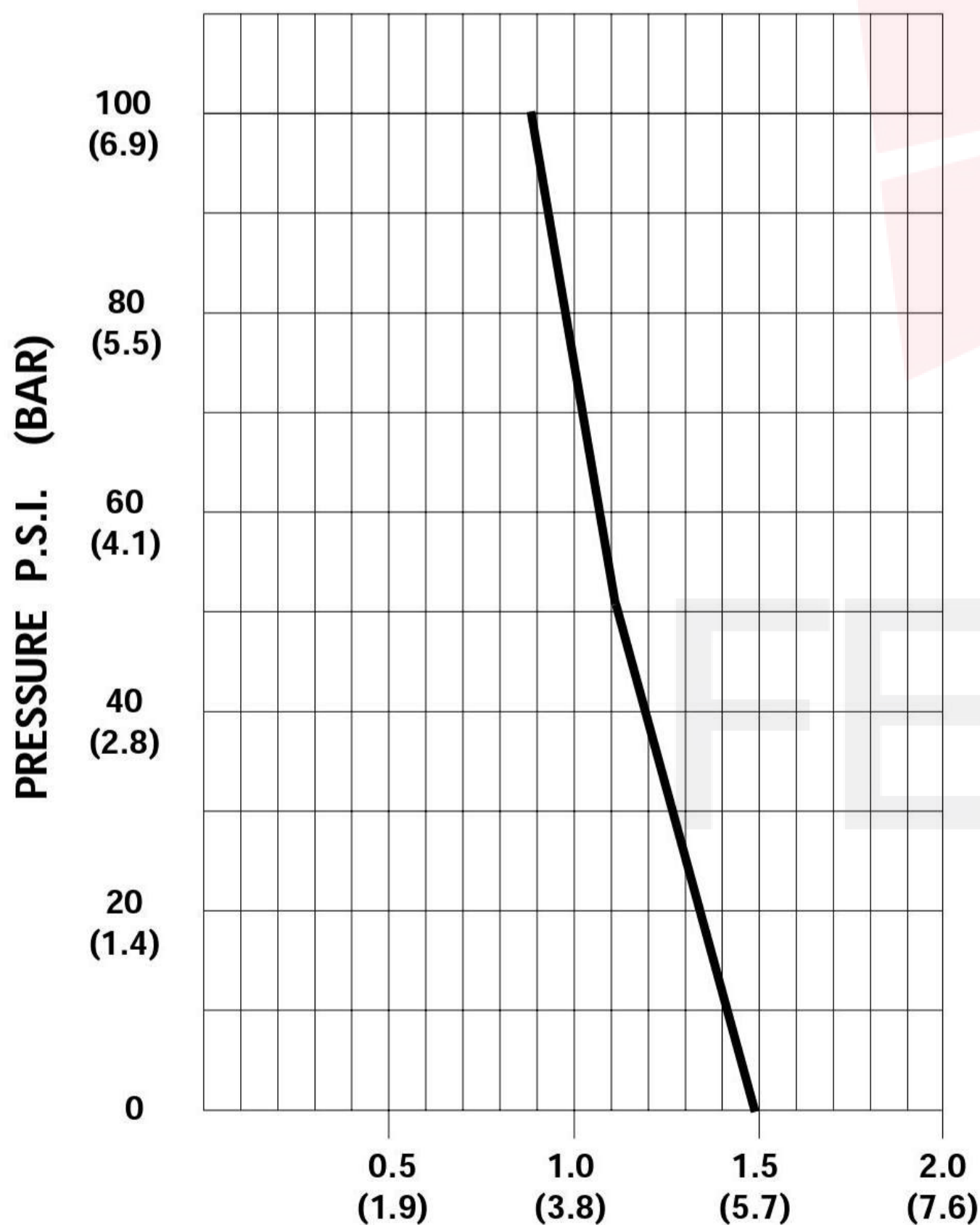
TEMPERATURE RISE



THIS GRAPH IS FOR USE AS A DESIGN GUIDE. IT IS BASED ON RUNNING CONTINUOUSLY WITH AN AMBIENT TEMPERATURE OF 75° F IN STILL AIR. THE THERMAL BREAKER WILL OPEN WHEN THE CASE TEMPERATURE REACHES 170° F.

[----- TRIP POINT OF THERMAL PROTECTOR]

TYPICAL PERFORMANCE



PRESSURE (PSI)	FLOW (GPM/LIT)	RPM MIN/MAX	CURRENT (AMPS)	VOLTAGE (VOLTS)
OPEN	1.50/5.7	2145/2220	0.36	115VAC
10	1.37/5.2	2055/2140	0.44	"
20	1.30/4.9	1980/2055	0.49	"
30	1.23/4.6	1905/1995	0.54	"
40	1.16/4.4	1830/1920	0.59	"
50	1.10/4.2	1770/1865	0.63	"
60	1.04/3.9	1720/1820	0.68	"
70	0.99/3.7	1655/1765	0.72	"
80	0.95/3.6	1610/1720	0.76	"
90	0.92/3.5	1560/1675	0.80	"
100	0.87/3.3	1510/1620	0.84	"

FLOW - GALLONS PER MINUTE (LITERS PER MINUTE)