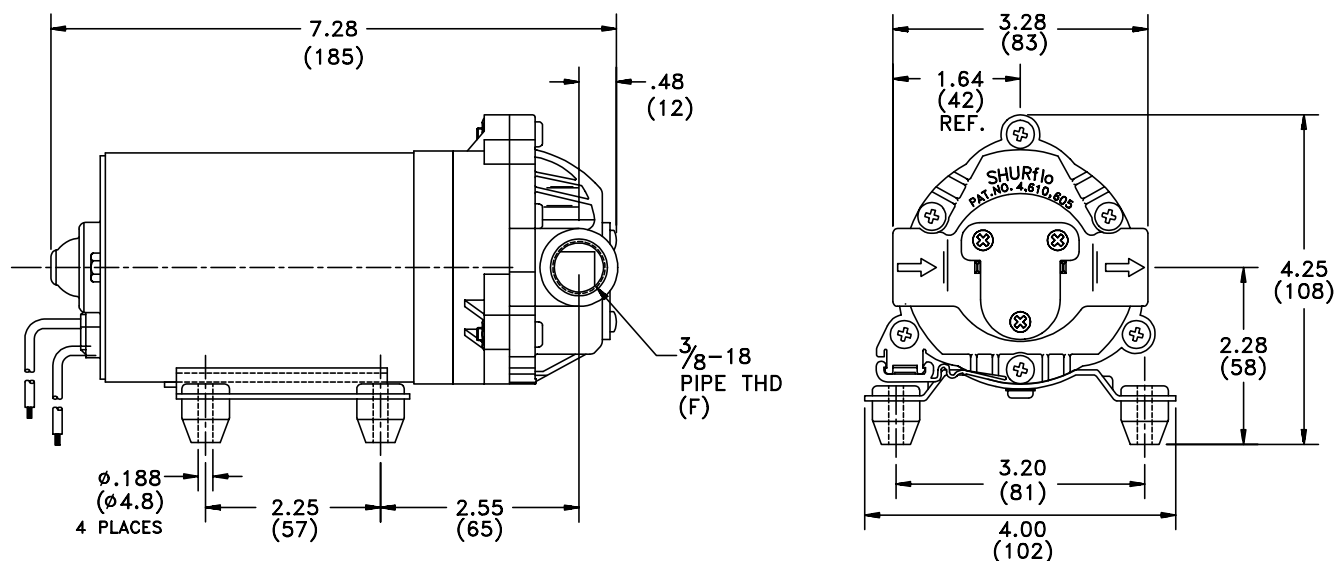
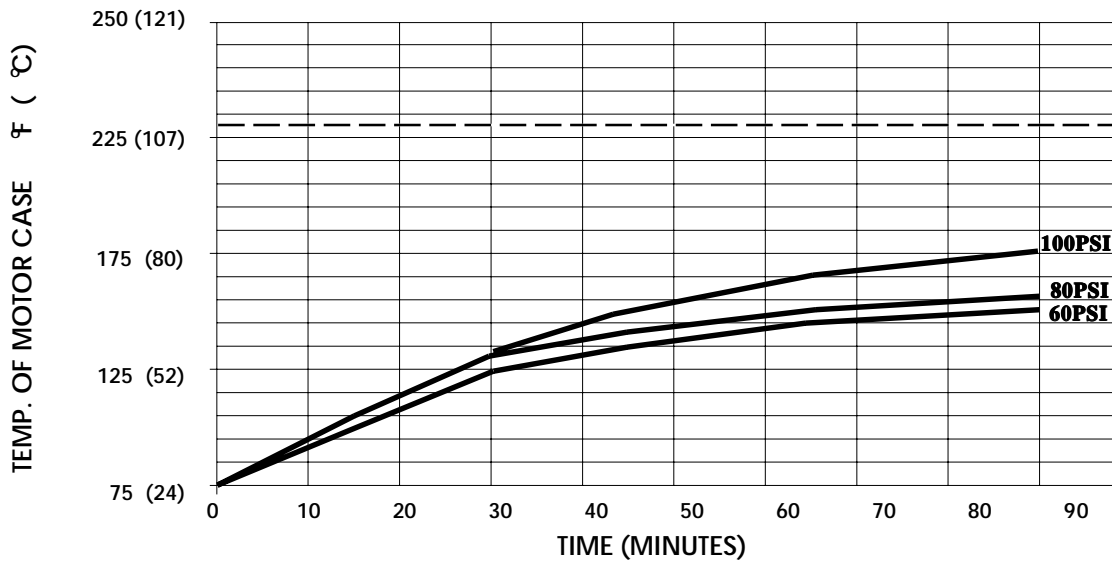


**PRODUCT DATA SHEET****MODEL: 8000-812-280****SPECIFICATIONS:****MODEL NUMBER:** 8000-812-280**PUMP DESIGN:** Positive Displacement 3 Chamber Diaphragm Pump**CHECK VALVE:** (2-Way Op.) Prevents Reverse Flow & 6 Ft. Head Forward Flow**CAM:** 2.5 Degree**MOTOR:** Permanent Magnet, P/N 11-150-10, Thermally Protected**VOLTAGE:** 115 VAC Nominal**PRESSURE SWITCH:** None**LIQUID TEMPERATURE:** 180 Degrees Fahrenheit (82 Degrees Centigrade) Max.**PRIME:** Self-Priming Up To 11 Ft. Vertical,  
Max. Inlet Pressure 30 PSI (2.1 Bar)**PORTS:** 3/8"-18 NPT, Female**MATERIAL OF CONSTRUCTION:****PLASTICS-** Nylon**VALVES-** Viton**DIAPHRAGM-** Viton (Switch), Santoprene (Main)**FASTENERS-** Zinc Plated Steel**NET WEIGHT:** 4.9 Lbs (2.2 Kg)**DUTY CYCLE:** Intermittent (See Temperature Rise Chart)**APPROVALS:** UL/CSA Recognized**TYPICAL APPLICATIONS:** Soil Extraction**BYPASS:** 80 PSI**DIMENSIONS:**

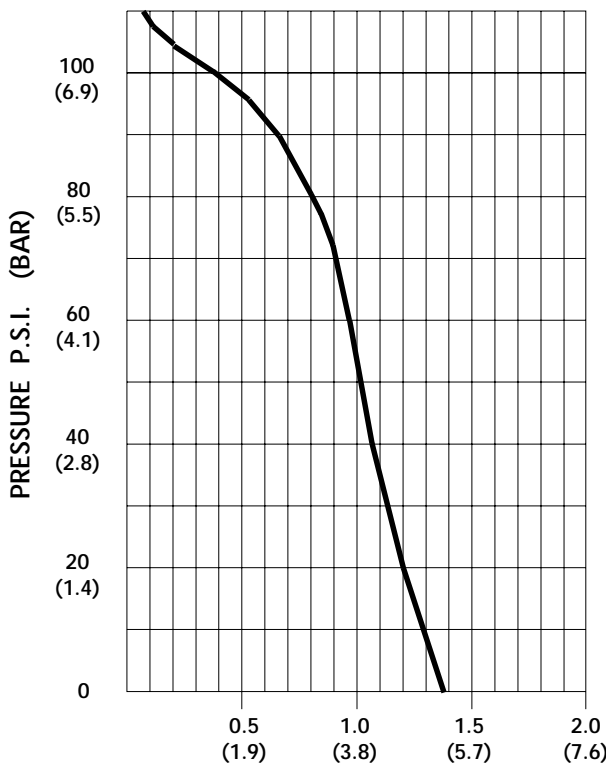
**TEMPERATURE RISE**



**THIS GRAPH IS FOR USE AS A DESIGN GUIDE. IT IS BASED ON RUNNING CONTINUOUSLY WITH AN AMBIENT TEMPERATURE OF 70°F IN STILL AIR. THE THERMAL BREAKER WILL OPEN WHEN THE CASE TEMPERATURE REACHES 230° F.**

[ - - - - - TRIP POINT OF THERMAL PROTECTOR ]

**TYPICAL PERFORMANCE**



PRESSURE (PSI)	FLOW (GPM/LIT)	RPM MIN/MAX	CURRENT (AMPS)	VOLTAGE (VOLTS)
OPEN	1.38/5.2	2298/2368	0.33	115 VAC
10	1.28/4.8	2194/2265	0.37	"
20	1.21/4.6	2114/2186	0.42	"
30	1.13/4.3	2046/2128	0.47	"
40	1.07/4.0	1979/2060	0.52	"
50	1.00/3.8	1923/2003	0.56	"
60	0.97/3.7	1870/1943	0.61	"
70	0.91/3.4	1820/1891	0.65	"
80	0.81/3.1	1770/1850	0.69	"
90	0.67/2.5	1716/1800	0.74	"
100	0.38/1.4	1668/1757	0.77	"

FLOW - GALLONS PER MINUTE (LITERS PER MINUTE)

For technical advice or service please take your pump into your local pump service center.

To order pump or parts or for pricing please go to the following links :

[Shurflo Pumps Home >>](#)

[Shurflo Pumps stock list >>](#)