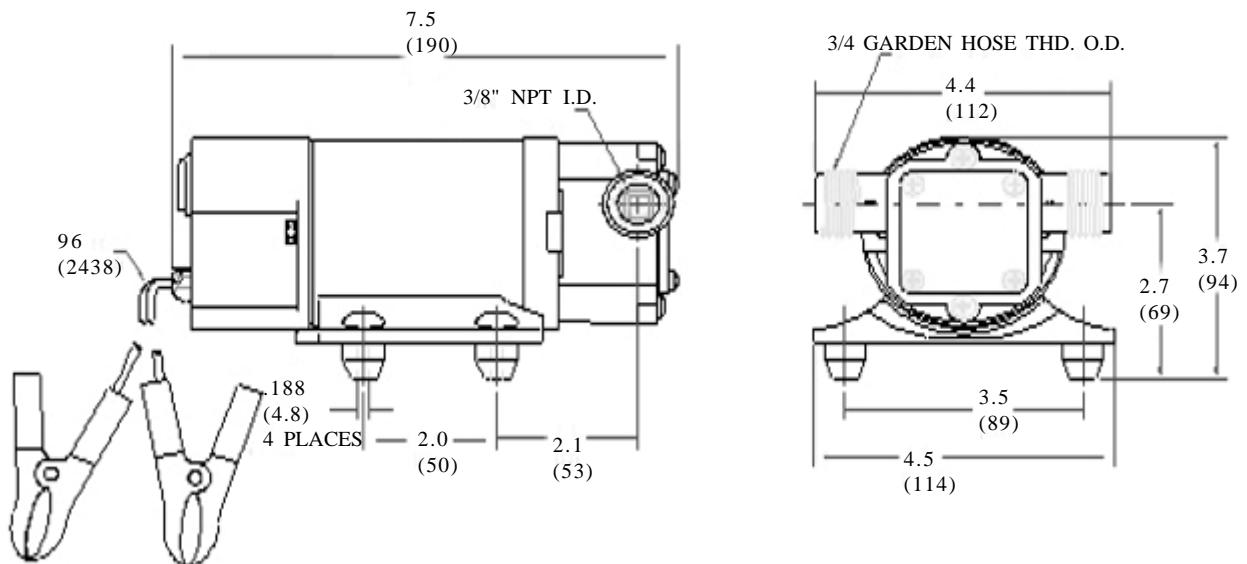


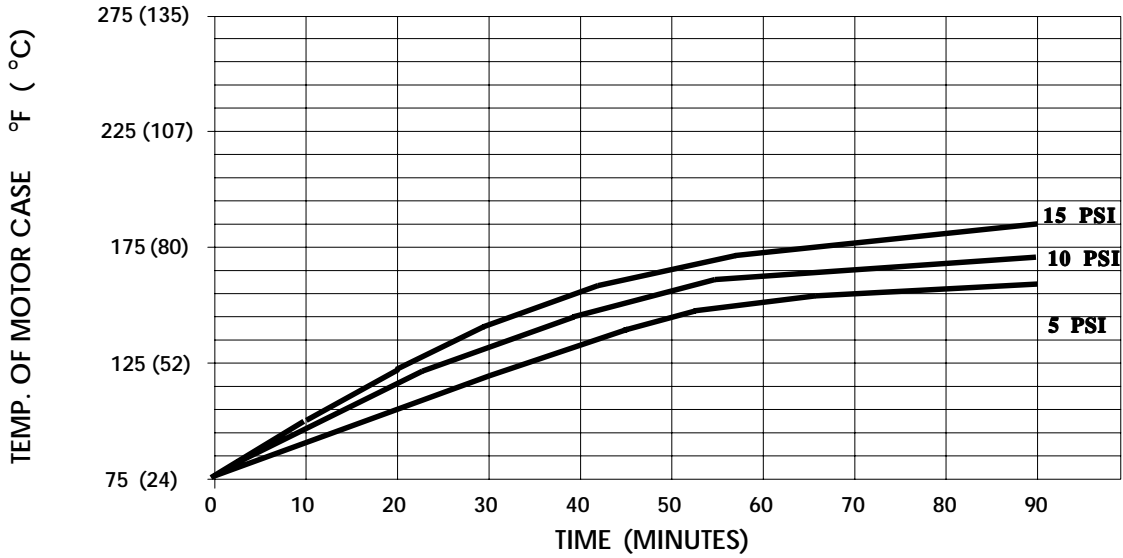
**SPECIFICATIONS:**

- MODEL NUMBER:** 3000-350
- PUMP DESIGN:** Flexible Impeller Pump With 3-Way Switch & 8 Ft. [2.4 M] Cable  
With Battery Clips
- REVERSIBLE FLOW:** Yes
- VOLTAGE:** 12 VDC Nominal
- MOTOR:** Permanent Magnet, Thermally Protected
- OPERATING PRESSURE:** 15 PSI (1.0 Bars) Max.
- LIQUID TEMPERATURE:** 40 °F to 185 °F Max. [4 °C to 85 °C]
- PRIMING:** Self-Priming Up to 7.5 FT [2.3 M] Vertical Prime,  
25 FT [7.6 M] Horizontal Prime (With Water)
- PORTS:** 3/4" Garden Hose Thread (O.D.), 3/8" NPT (I.D.)
- MATERIAL OF CONSTRUCTION:**
  - PLASTICS-** Glass Filled Polyester
  - IMPELLER-** Buna-n
  - LIP SEAL-** Buna-n
  - FASTENERS-** Stainless Steel
- NET WEIGHT:** 3.8 Lbs (1.7 Kg)
- DUTY CYCLE:** Intermittent (See Temperature Rise Chart)
- AGENCY CERTIFICATION:** None
- TYPICAL APPLICATIONS:** General Purpose Transfer Pump

**DIMENSIONS:** inches (millimeters)

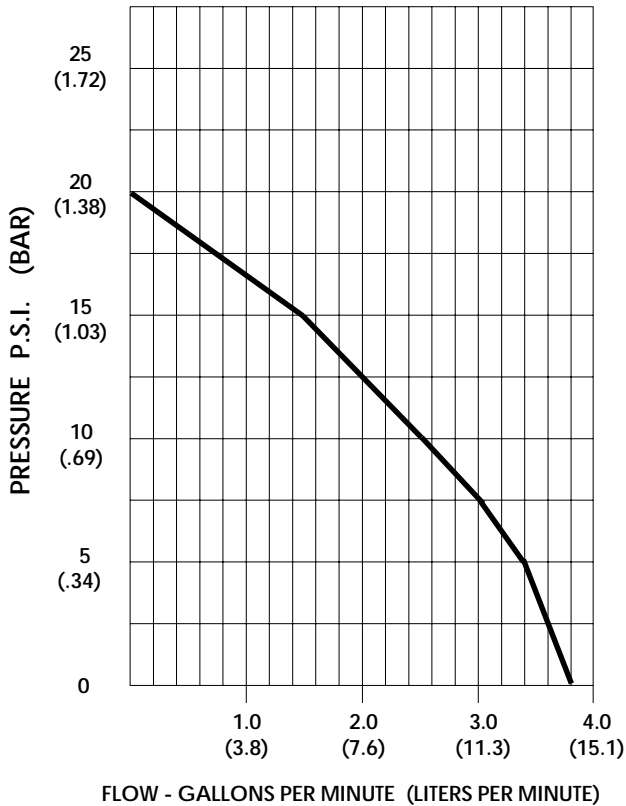


**TEMPERATURE RISE**



THIS GRAPH IS FOR USE AS A DESIGN GUIDE. IT IS BASED ON RUNNING CONTINUOUSLY WITH AN AMBIENT TEMPERATURE OF 70° F IN STILL AIR.

**TYPICAL PERFORMANCE**



PRESSURE (PSI/BAR)	FLOW (GPM/LIT)	CURRENT (AMPS)	VOLTAGE (VOLTS)
<b>OPEN</b>	<b>3.8/14.2</b>	<b>6.5</b>	<b>12 VDC</b>
<b>5/3.4</b>	<b>3.4/12.9</b>	<b>7.1</b>	<b>"</b>
<b>10/6.9</b>	<b>2.5/9.5</b>	<b>7.4</b>	<b>"</b>
<b>15/1.03</b>	<b>1.5/5.7</b>	<b>8.0</b>	<b>"</b>
<b>20/1.38</b>	<b>0</b>	<b>9.1</b>	<b>"</b>

*-SPECIFICATIONS SUBJECT TO CHANGE WITHOUT NOTICE.  
-ALL DATA BASED ON TESTING WITH WATER.*