

MODEL: 4111-035

SPECIFICATIONS:

MODEL NUMBER: 4111-035

PUMP DESIGN: Positive Displacement 3 Chamber Diaphragm Pump

CHECK VALVE: (1-Way Operation) Prevents Reverse Flow

CAM: 3.0 Degree

MOTOR: Permanent Magnet, P/N 11-253-06

VOLTAGE: 12 VDC Nominal

PRESSURE SWITCH: Splash Proof, Adjustable from 30 to 45 PSI (2.1 - 3.1 Bar).

Factory Set @ 42 PSI (2.9 Bar) Shut-Off; Turn-On 32 PSI \pm 5 PSI (2.2 \pm .35 Bar)

LIQUID TEMPERATURE: 130 Degrees Fahrenheit (54°Centigrade) Max.

PRIME: Self-Priming Up To 7 Ft. (2.1 Meters) Vertical,
Max. Inlet Pressure 30 PSI (2.1 Bar)

PORTS: 1/2"-14 Male Parallel Thread and 5/8" Manifolds (shown).

MATERIAL OF CONSTRUCTION:

PLASTICS- Polypropylene

VALVES- Viton

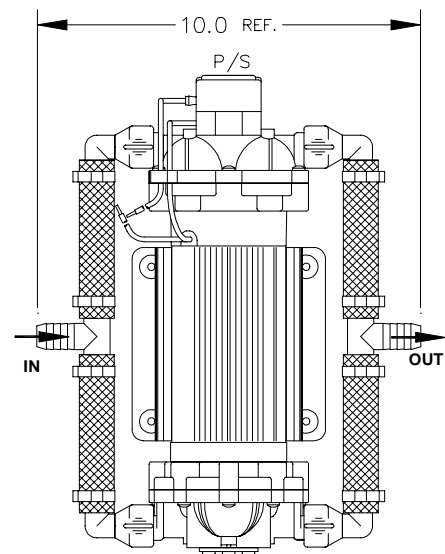
DIAPHRAGM- Santoprene

FASTENERS- Stainless Steel

NET WEIGHT: 7.89 Lbs (3.58 Kg)

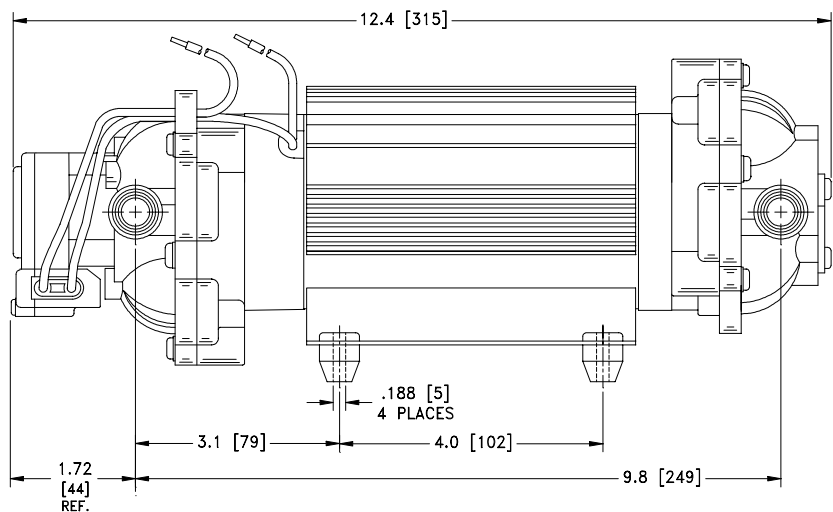
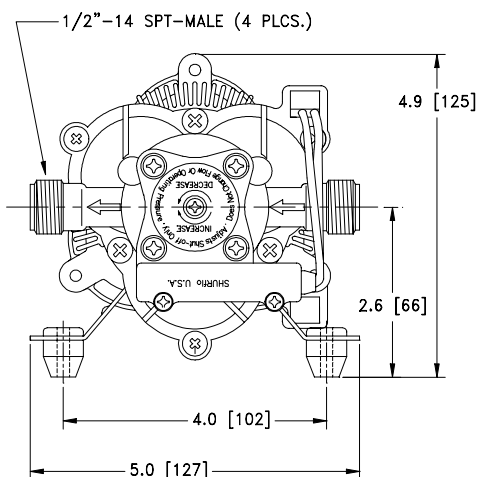
DUTY CYCLE: Intermittent (See Temperature Rise Chart)

TYPICAL APPLICATIONS: Agricultural Transfer/Sprayer

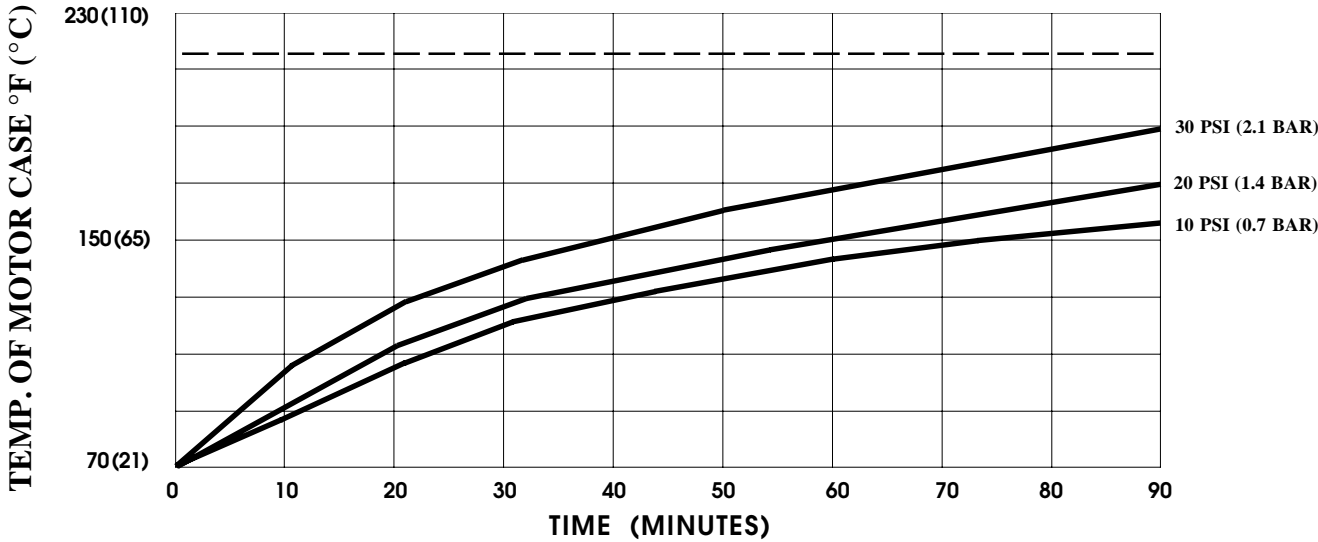


DIMENSIONS:

Shown with manifolds
removed Inches (mm)

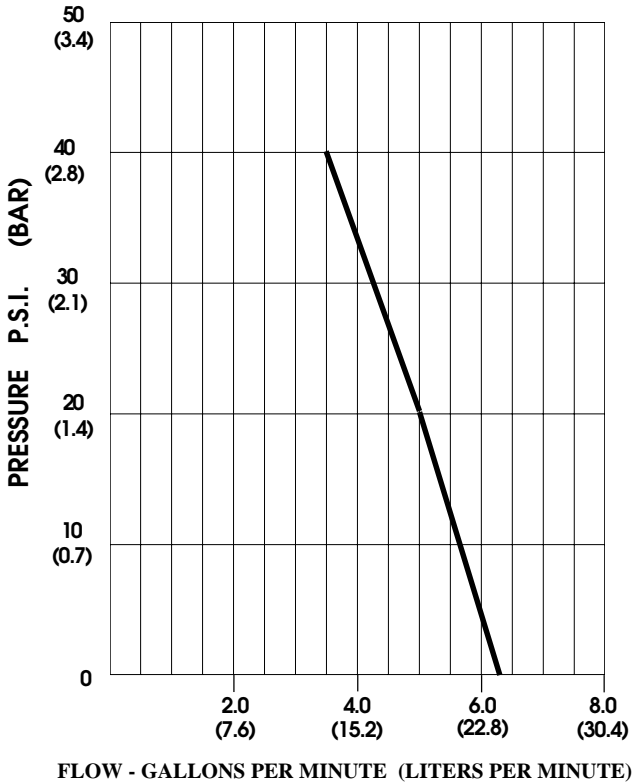


TEMPERATURE RISE



THIS GRAPH IS FOR USE AS A DESIGN GUIDE. IT IS BASED ON RUNNING CONTINUOUSLY WITH AN AMBIENT TEMPERATURE OF 70°F (21°C) IN STILL AIR. --- OPERATIONAL LIMIT.

TYPICAL PERFORMANCE



PRESSURE (PSI/BAR)	FLOW (GPM/LIT)	CURRENT (AMPS)	VOLTAGE (VOLTS)
OPEN	6.25/23.5	8.7	12 VDC
10/0.7	5.7/21.6	12.2	"
20/1.4	5.0/19.0	14.5	"
30/2.1	4.3/16.2	16.1	"
40/2.8	3.5/13.2	17.2	"

**-SPECIFICATIONS SUBJECT TO CHANGE WITHOUT NOTICE.
-ALL DATA BASED ON TESTING WITH WATER.**